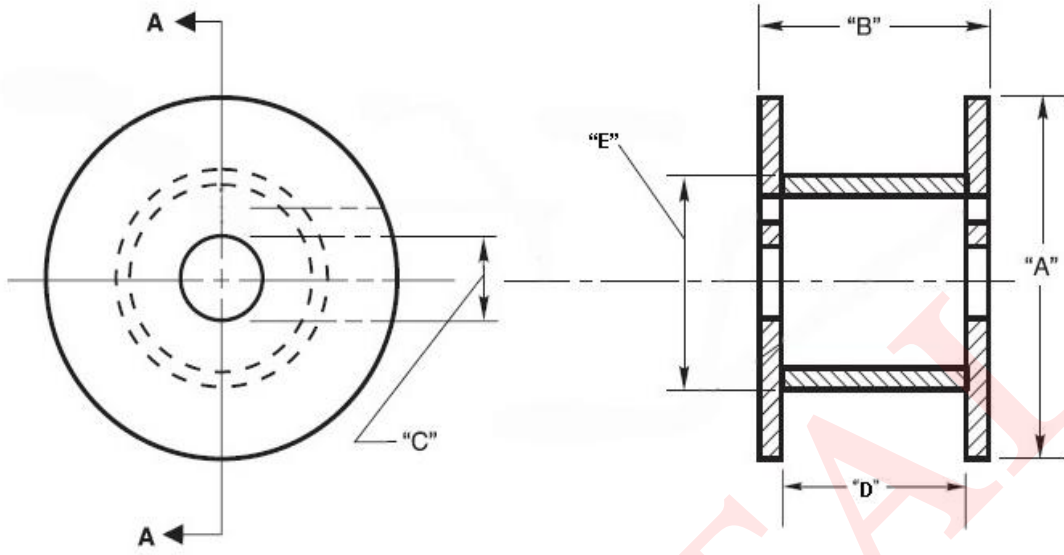


EST METAL DIMENSIONS OF STANDARD D140 SPOOL



Specification		D140 Spool	
		mm	
A	Diameter, max	140	
B	Width	120	
C	Diameter	28	
D	Distance between axes	100	
E	Diameter	70	



2 kgs per spool